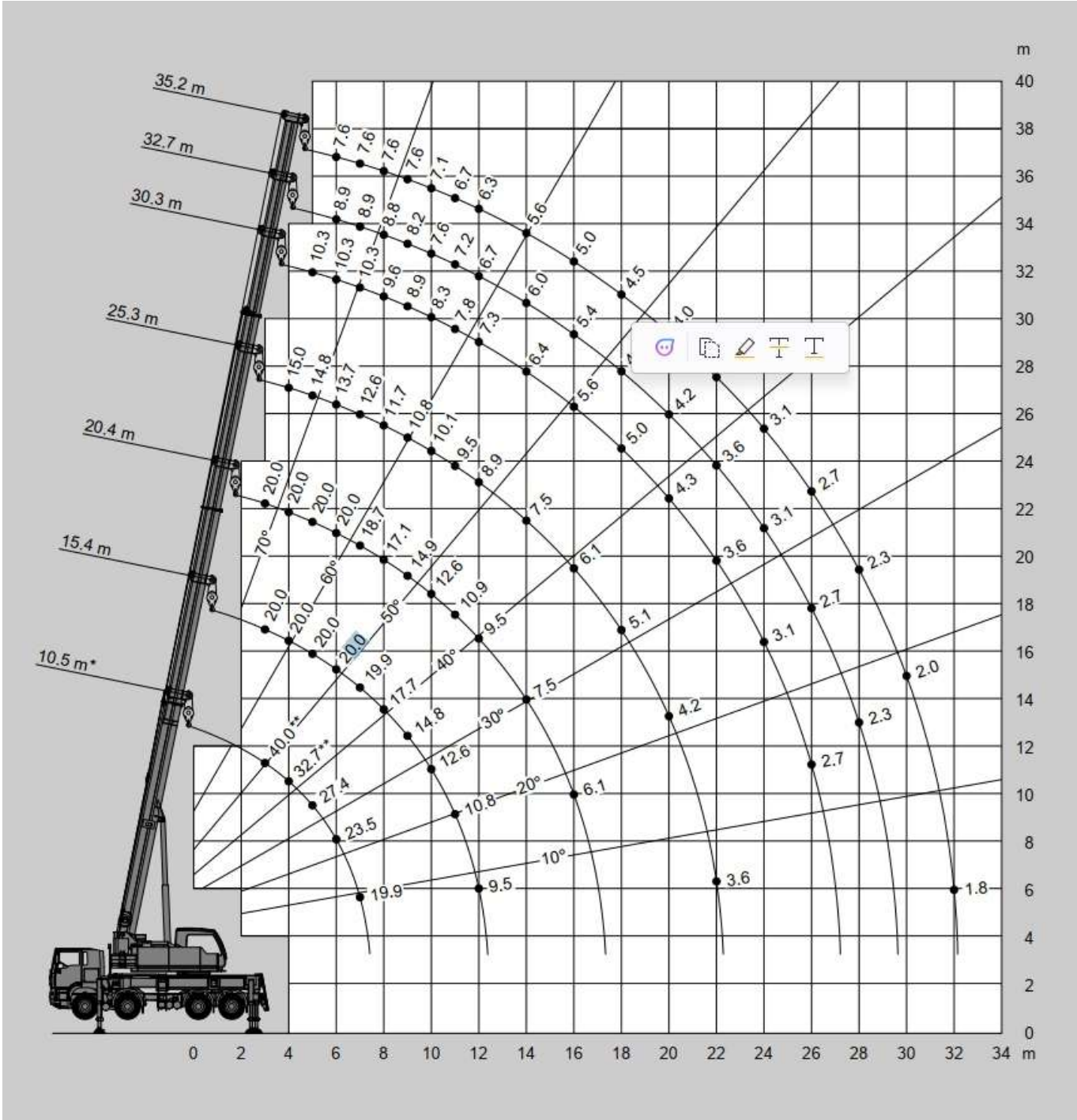


Stempelschotten	Stempelbasis	Draaicirkel ballast	Hoofdmast lengte	Jib lengte	Hijsblok gewicht
1m x 1,2m	6.4m x 6.4m	3.46m	35.2m	9 meter	8.8T = 250kg 26 T = 450kg




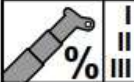


JAC. V.D. VEGT & ZN bv
KRAANVERHUUR & TRANSPORT

038-3314466 – info@jacvdvegt.nl



DIN/ISO/EN

 m	10.5 m*	10.5 m	15.4 m	20.4 m	25.3 m	30.3 m	32.7 m	35.2 m	
3.0	40.0**	35.0**	20.0	20.0	15.0				
3.5	36.0**	32.4**	20.0	20.0	15.0				
4.0	32.7**	29.8	20.0	20.0	15.0				
4.5	29.9	27.6	20.0	20.0	15.0	10.3			
5.0	27.4	25.3	20.0	20.0	14.8	10.3			
6.0	23.5	21.8	20.0	20.0	13.7	10.3	8.9	7.6	
7.0	19.9	19.7	19.9	18.7	12.6	10.3	8.9	7.6	
8.0			17.7	17.1	11.7	9.6	8.8	7.6	
9.0			14.8	14.9	10.8	8.9	8.2	7.6	
10.0			12.6	12.6	10.1	8.3	7.6	7.1	
11.0			10.8	10.9	9.5	7.8	7.2	6.7	
12.0			9.5	9.5	8.9	7.3	6.7	6.3	
14.0				7.5	7.5	6.4	6.0	5.6	
16.0				6.1	6.1	5.6	5.4	5.0	
18.0					5.1	5.0	4.7	4.5	
20.0					4.2	4.3	4.2	4.0	
22.0					3.6	3.6	3.6	3.6	
24.0						3.1	3.1	3.1	
26.0						2.7	2.7	2.7	
28.0							2.3	2.3	
30.0								2.0	
32.0								1.8	
 %	I	0	0	20	40	60	80	90	100
	II	0	0	20	40	60	80	90	100
	III	0	0	20	40	60	80	90	100

* Nach hinten / * Over rear

** Mit Zusatzhubausrüstung / ** With additional lifting equipment

